

# TECHNICAL SPECIFICATION

**4-Port, Spotlight Antenna**  
**2x1695-5000MHz, 35/30deg, 11/15dBi, Fixed 0deg**



---

A.0	Dec 06,2024	Zack	Michael	Uncle.Wang
<b>Version</b>	<b>Date</b>	<b>Prepared</b>	<b>Reviewed</b>	<b>Approved</b>

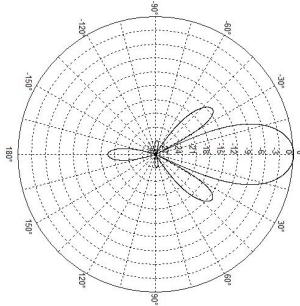
---

<b>Electrical specifications</b>				
Description	4-Port, Spotlight Antenna, 2x1695-5000MHz, 30/20/20deg, 12/13/12dBi, Fixed 0deg			
ZTT Product Code	<b>HXS4N251213</b>			
Frequency Range	MHz	2x1695-5000		
Frequency Band	MHz	1695-2690	3300-3700	4800-5000
Gain	dBi	12.6±0.5	13.4±0.4	12.6±0.4
Horizontal 3dB Beam Width	Deg	30±5	20±5	20±4
Vertical 3dB Beam Width	Deg	65±4	60±4	60±5
Front to Back Ratio at 180Deg ±30Deg	dB	≥23		
Electrical Downtilt	Deg	0		
VSWR	/	≤1.5		
Isolation between Ports	dB	≥23		
Intermodulation IM3	dBc	≤-150dBc(2×43 dBm carrier)		
Max. Power Per Port	Watt	50(at 50°C ambient temperaturer)		
Impedance	Ohm	50		
Polarization	Deg	±45		
<b>Mechanical specifications</b>				
Antenna Dimensions	mm	600×280×100		
Antenna Net Weight	kg	3.5		
Packing Dimensions	mm	740×355×295		
Antenna Gross Weight	kg	5.8		
Connector type	/	4x4.3-10 Female with 1 foot jumper		
Reflector Material	/	Aluminium		
Radome Material	/	PP / black		
<b>Environmental Specification</b>				
Relative Humidity	%	0-95		
Temperature Range	°C	-40-+70		
Lightning Protection	/	DC ground		
<b>Accessories</b>				
Mounting Method	/	Wall / Pole mounted		
Mounting Accessories (clamp)	/	Included with antenna		

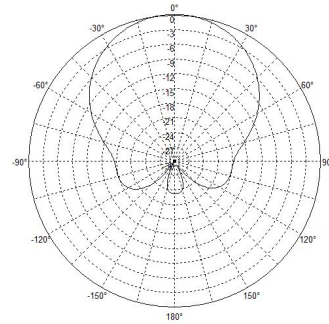
## Reference Pattern

1695-5000MHz

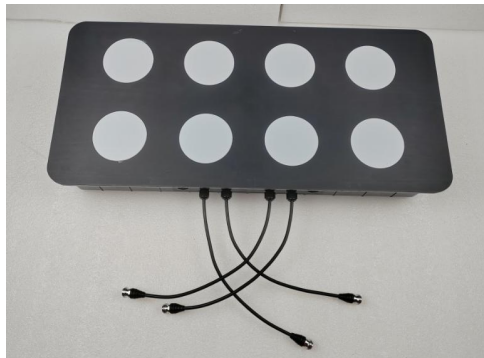
Horizontal Pattern

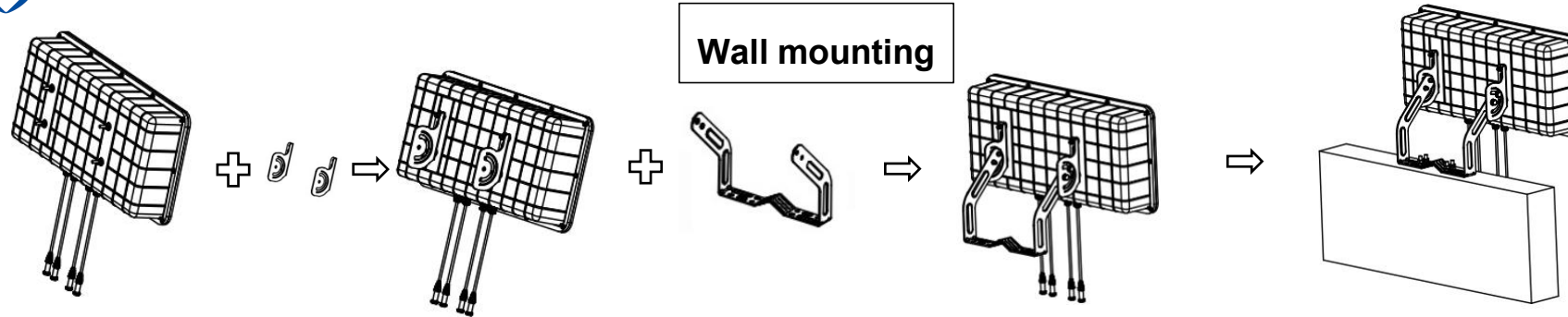


Vertical Pattern



## Overall appearance of antenna





### Wall mounting

#### 1. Assemble external mounting board

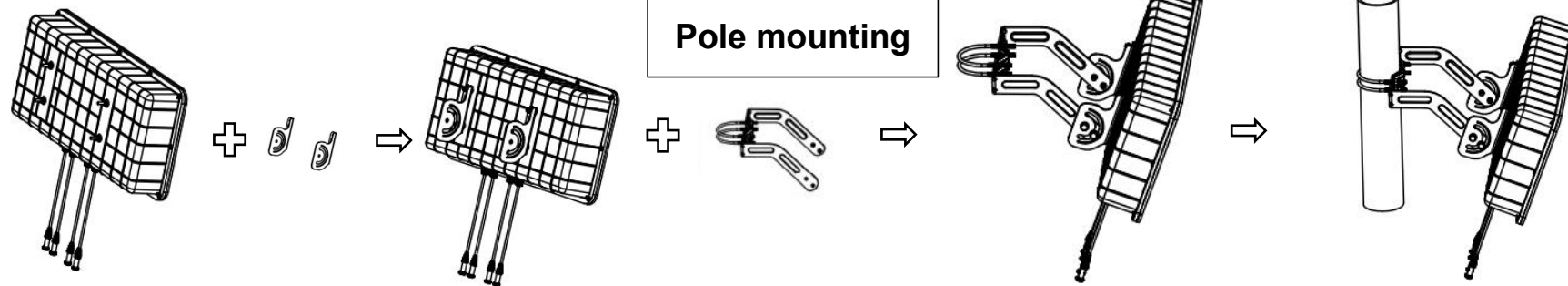
Attach mounting board to screw position on antenna with plain washers & spring washers & M6 hex nuts.

#### 2. Assemble bracket

Attach U-clamp to antenna with plain washers & spring washers & M8\*20 hex bolts.

#### 3. Antenna Installation

1. Use M8\*80 expansion bolts to fix antenna on the wall;
2. After adjusting mechanical downtilt, fasten the M8



### Pole mounting

#### 1. Assemble external mounting board

Attach mounting board to screw position on antenna with plain washers & spring washers & M6 hex nuts.

#### 2. Assemble bracket

Attach U-clamp to antenna with plain washers & spring washers & M8\*20 hex bolts.

#### 3. Antenna Installation

1. Use U-clamp to fix antenna on the pole;
2. After adjusting mechanical downtilt, fasten the M8 bolts on both sides of antenna.