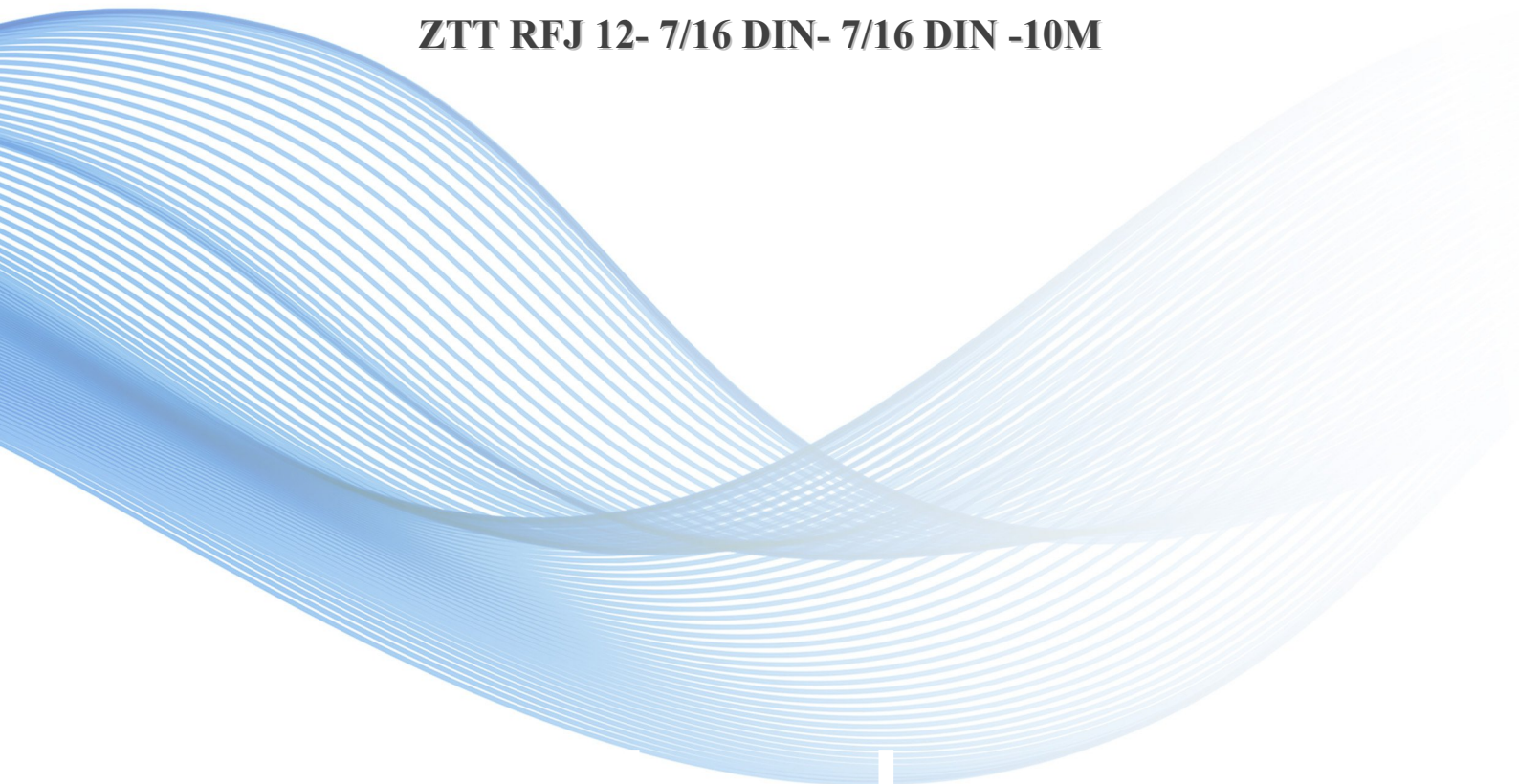


TECHNICAL SPECIFICATION

ZTT RFJ 12- 7/16 DIN- 7/16 DIN -10M



A	April 11, 2024	Louise	MRS.LEAH	Hugo
Version	Date	Prepared	Reviewed	Approved

1. GENERAL

1.1 Scope

This specification covers the general requirements and performance of jumper cables provided by JiangSu Zhongtian Technology Co., Ltd. (hereafter called ZTT for short).

1.2 Cable Description

ZTT jumper cables have the following advantages: low VSWR, excellent flexibility, easy attachment and waterproof.

1.3 Quality

Excellent quality control is achieved through intense in-house quality check and stringent audit acceptance by ISO 9001:2015、ISO 14001:2015、RoHS 2011/65/EU.

1.4 Reliability

ZTT ensures product reliability through rigorous qualification testing of each product family. Both initial and periodic qualification testing are performed to assure the cable's performance and durability in the field environments.

1.5 Certificate or Test Report

1	RoHS 2011/65/EU
2	ISO 9001:2015
3	ISO 14001:2015
4	UL1581 - UV Resistance Jacket
5	IEC 60754 -2 or EN 60754-2

2. PRODUCT SPECIFICATIONS

2.1 Technical Specifications

Characteristics		Specification
Operating Frequency (GHz)		0-2.7
Type of Connector		Connector Type: Connector A: Type: 7/16 DIN Connector B: Type: 7/16 DIN
		Interface: Male
		Body style Connector A: Straight Connector B: Straight
Impedance type (Ω)		50
Return loss (dB)	890MHz – 960MHz	≥ 28
	1710MHz – 1880MHz	≥ 28
	1920MHz – 2170MHz	≥ 28
	2170MHz - 2700Mhz	≥ 26
Operating temperature range ($^{\circ}\text{C}$)		-50 ~85
Center contact		Bronze/Brass, Silver plated
PIM3 (2x43dBm,carriers), (dBc)		≤ -155 dBc
Dielectric		Polyethylene Foam
Jacket	Materials	Polyethylene (PE)
	Halogen Free (IEC 60754 or EN 60754-2)	Yes
	Jacket Diameter (mm)	$15.8 \pm 2\%$
Insertion loss (dB/m).	890MHz – 960MHz	≤ 0.0713
	1710MHz – 1880MHz	≤ 0.107
	1920MHz – 2170MHz	≤ 0.113
	2170MHz – 2700Mhz	≤ 0.127
Connector Attenuation (dB/pcs)	0-2700MHz	$\leq 0.05 * \sqrt{f}$ (GHz)
Relative propagation velocity		$\geq 87\%$
Minimum bending radius, single(mm)		≤ 70
Minimum bending radius, repeated (mm)		≤ 130
Cable length without connector(m)		10m
Inner Conductor	Materials	Copper-Clad Aluminum Wire
	Style	Smooth solid tube
	Diameter (mm)	≥ 4.8
	DC-resistance	≤ 1.57 Ohms/km
Outer Conductor	Materials	Corrugated copper
	Style	SIN wave
	Diameter (mm)	≥ 13.8
	DC-resistance	≤ 2.7 Ohms/km
Weight, approximately(kg/m)		≥ 0.2
Max. tensile force(N)		≥ 1050

Address: No. 88 Qixin Road, NETDA, Nantong, Jiangsu, P.R. China, 226009

E-mail: zttinternational@zttgroup.com/sales@zttgroup.com | Website: www.zttgroup.com

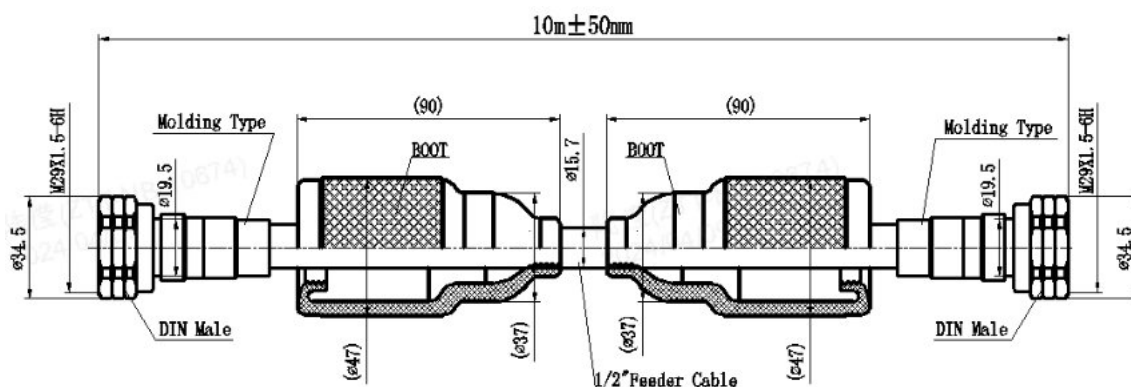
2.2 Weatherproof for Jumper Specifications

Characteristics	Specification
Weatherproof boot assemble with the jumper	
Weatherproofing Material	Silicone
UV Resistance UV Resistance Test Method ASTM G154 or better	1000 hours
Operating Temperature	-40 °C to +85 °C
Storage Temperature	-55 °C to +85 °C
Weather Resistance	IP68
Weight(g)	For connector DIN 7/16 \geq 54g

2.3 Connectors for Jumper Specifications

Characteristics	Specification
Insertion Loss, typical	$\leq 0.05 * \sqrt{f}$ (GHz)
Weight	Connector DIN 7/16 \geq 86 g

3. DESIGN DRAWINGS



4. PACKING INFORMATION

ZTT jumper cables are packed in carton, and the connectors are assembled at the end of the cable. During transportation, available transportation tool should be handled carefully to avoid damaging the package.

Design:

