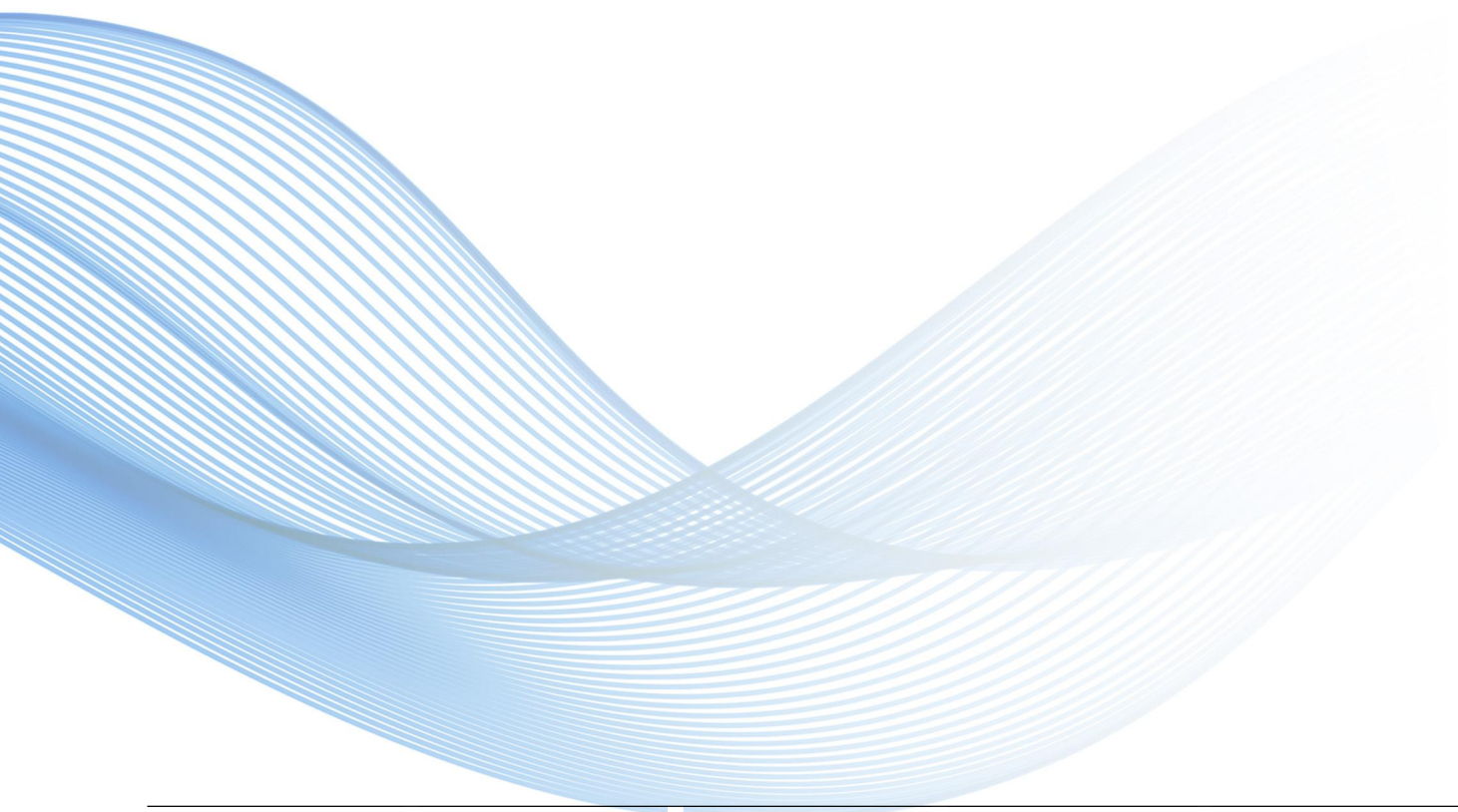


TECHNICAL SPECIFICATION

3、 4-way Splitter(698-3800MHz)



A	October 31, 2023	Alan	Mr.Zheng	Hugo
Version	Date	Prepared	Reviewed	Approved

Address: No.5, Zhongtian road, Nantong economic and technological development zone, Jiangsu Province, China

Tel: +86-513-89191138 Fax: +86-513-8359 9670 Zip code: 226010 Website: www.zttcable.com

Product Name

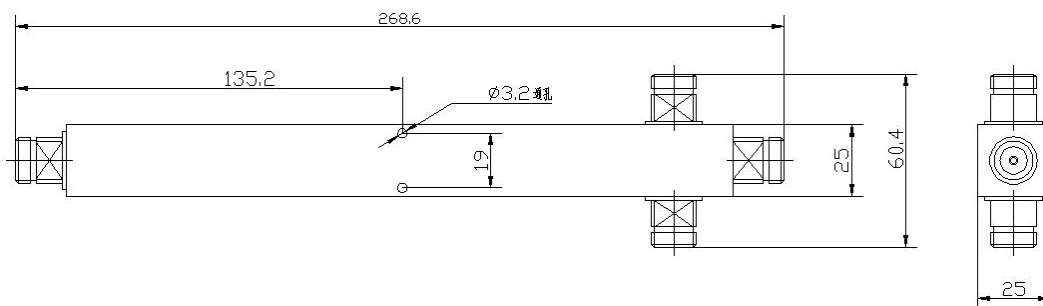
3-Way Power Splitter

Product Features

- ◆ Wide Frequency Band 698-3800MHz
- ◆ 2G/3G/4G/LTE Coverage
- ◆ Low Passive Intermodulation
- ◆ Low VSWR & Insertion Loss
- ◆ Indoor & Outdoor Application
- ◆ Widely used for In-building Solutions

Technical & Mechanical Specifications

Freq(MHz)	698-3800
Input Port Number	1
Output Port Number	3
Split Loss(dB)	5
IL(dB)	≤0.2
VSWR	≤1.3
3 rd PIM (dBc)	≤-150dBc@2*43dBm
Total Input Power(W)	300
Impedance	50 ohm
Connector	N-female
Color	Black
Temp(deg)	-30~+70



Product Name

4-Way Power Splitter

Product Features

- ◆ Wide Frequency Band 698-3800MHz
- ◆ 2G/3G/4G/LTE Coverage
- ◆ Low Passive Intermodulation
- ◆ Low VSWR & Insertion Loss
- ◆ Indoor & Outdoor Application
- ◆ Widely used for In-building Solutions

Technical & Mechanical Specifications

Freq(MHz)	698-3800
Input Port Number	1
Output Port Number	4
Split Loss(dB)	6.0
IL(dB)	≤0.4
VSWR	≤1.3
3 rd PIM (dBc)	≤-150dBc@2*43dBm
Total Input Power(W)	300
Impedance	50 ohm
Connector	N-female
Color	Black
Temp(deg)	-30~+70

Mechanical Drawing

