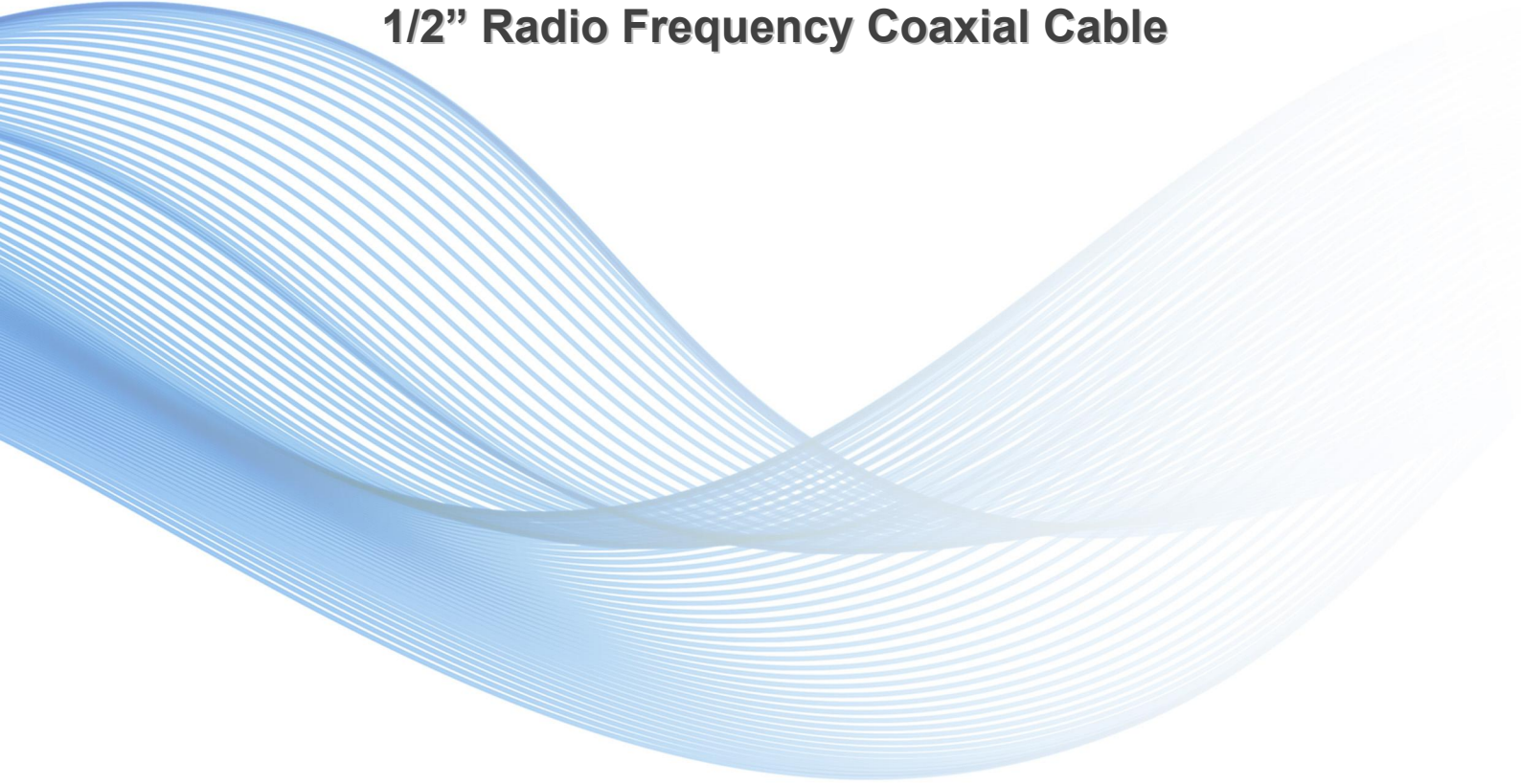


TECHNICAL SPECIFICATION

1/2" Radio Frequency Coaxial Cable



A	November 1, 2023	Alan	Mr.Xu	Hugo
Version	Date	Prepared	Reviewed	Approved

Address: No.5, Zhongtian road, Nantong economic and technological development zone, Jiangsu Province, China

Tel: +86-513-89191138 Fax: +86-513-8359 9670 Zip code: 226010 Website: www.zttcable.com

1. GENERAL

1.1 Scope

This specification covers the general requirements and performance of radio frequency coaxial cable provided by JiangSu Zhongtian Technology Co., Ltd. (hereafter called ZTT for short).

1.2 Cable Description

HCAAYZ-50-12, China ZTT coaxial cable, 50 ohm, 1/2", corrugated outer copper conductor, black PE jacket.

1.3 Quality

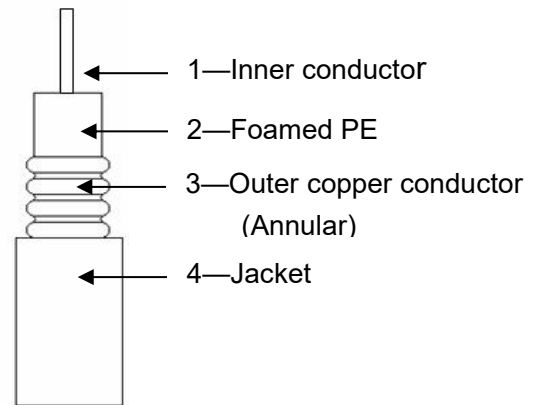
Excellent quality control is achieved through intense in-house quality check and stringent audit acceptance by ISO 9001.

1.4 Reliability

ZTT ensures product reliability through rigorous qualification testing of each product family. Both initial and periodic qualification testing are performed to assure the cable's performance and durability in the field environments.

2. CABLE STRUCTURE

2.1 Cable Type: HCAAYZ-50-12



2.2 Construction

Item	Diameter(mm)	Material
Inner conductor	4.80±0.05	Copper clad aluminum wire
Insulation	12.20±0.20	Foamed polyethylene
Outer copper conductor	13.90±0.25	Annular corrugated copper tube
Jacket	15.70±0.30	Polyethylene

2.3 Characteristics

Item	Specification
Lay environment temperature	-20~+70°C
Characteristics impedance	50±2Ω
Velocity	88%
Min. insulation resistance	10000 MΩ·km @DC 500V ,1 minute
Capacitance	76 pF/m
Dielectric strength	DC 6000V 1 minute
VSWR typical value	≤1.20@820~960MHz
	≤1.20@1710~2500MHz

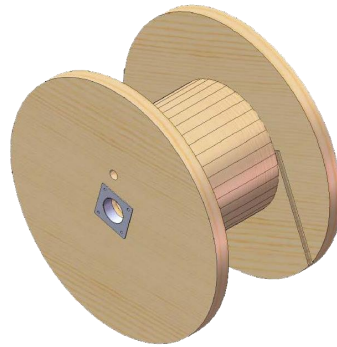
2.4 Attenuation(Nominal Value)

Frequency(MHz)	Attenuation (dB/100m)
800	6.45
900	6.85
1800	10.05
2000	10.66
2400	11.80
2700	12.60
3000	13.30

Note: The tolerance of Attenuation shall be $\pm 5\%$

3. PACKING INFORMATION

ZTT highly foamed polyethylene dielectric coaxial cables are coiled on wooden reels which are not returnable and protected by strong wooden batten. The end of cable will be sealed with heat shrinkable end cap to prevent ingress of water



Note: The drum or carton size & cable weight as above is estimated and final size & weight shall be confirmed before shipment.