

# Combiner Installation Manual

Product Name:Dip-lexer 1800/2100-2600Mhz

## 1. Introduction of Combiner

In a wireless telecommunication system,combiner is a device which combines the input multi-band signals to output together to the same indoor distribution system.

Generally, there are two or more input ports but only one output port in one combiner.

Isolation between ports is a very important parameter which indicates the ability of two signals from two ports not affect each other .

The selection of combiners is mainly based on the requirements of the system , from the combiner specifications we can decide whether it can meet the system requirements .

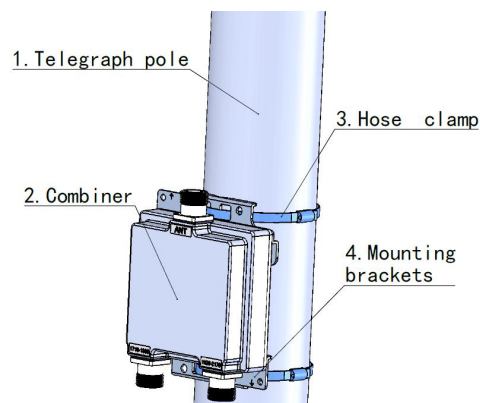
Combiner's specifications mainly include pass-band frequency,pass-band insertion loss,suppression, isolation ,VSWR, inter-modulation and so on .

## 2. Installation and Fixing of Combiner

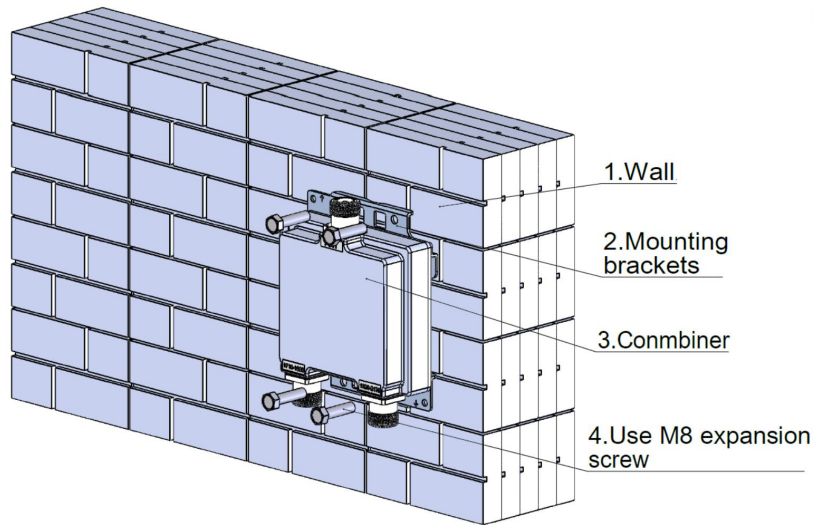
The installation form of the combiner generally includes two forms according to the customer's requirements:with bracket and with mounting holes (without bracket).

For the combiners with mounting holes, mainly designed based on customer requirements,it's installation and fixing way is generally decided by customer.Below are installation and fixing instructions for combiner with brackets

One combiner with bracket will match two hose clamps , the mounting form with bracket is as following:



① For the pole type installation, pass the hose clamp through the bracket reservation holes and connect the product to the pole, then lock the hose clamp with a screwdriver to secure the product on the pole.



② For wall mounted installation, no hose clamp required. A number of screws are required to pass through the reserved hole in the bracket. Fasten the product firmly to the wall.

③ Whether it's pole or wall mounted, when installing the combiner, ANT output port facing up (Connected to antenna feeder), Input port facing down, connected to each signal source.